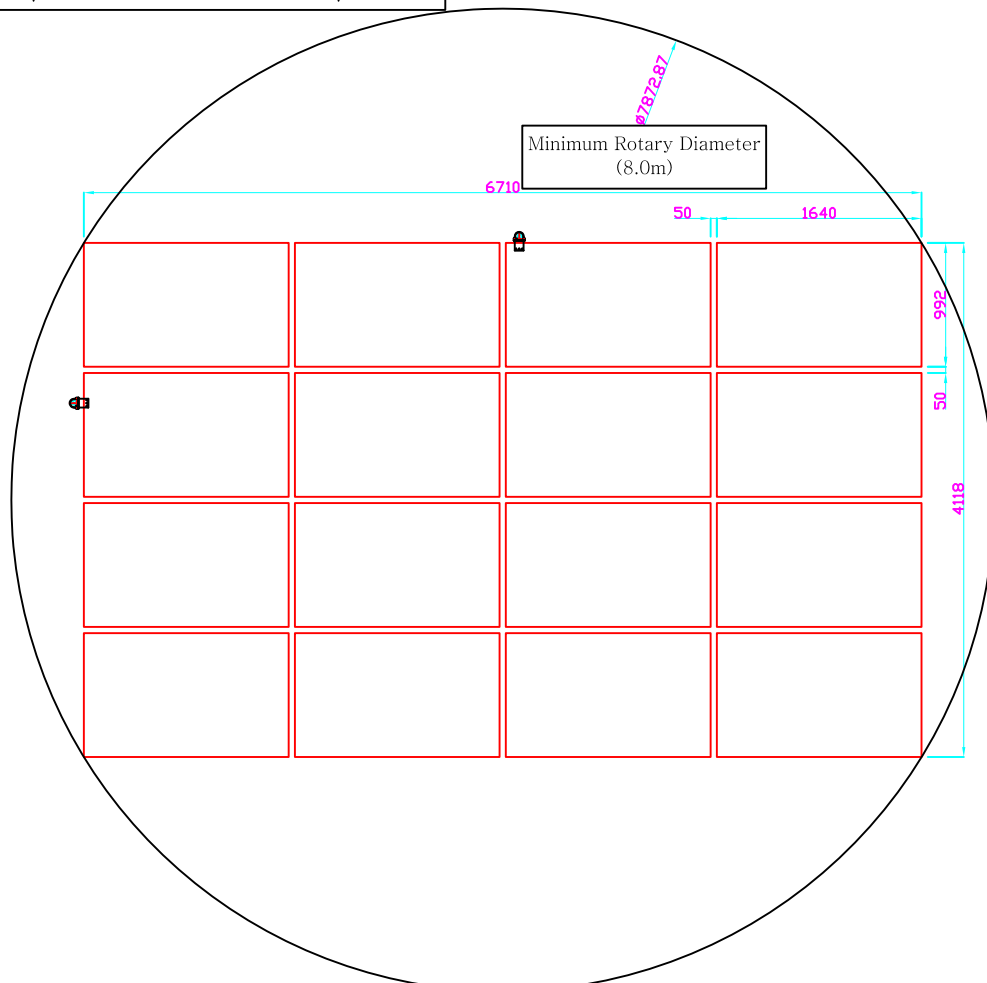


210Wp x 16EA = 3.36KWp

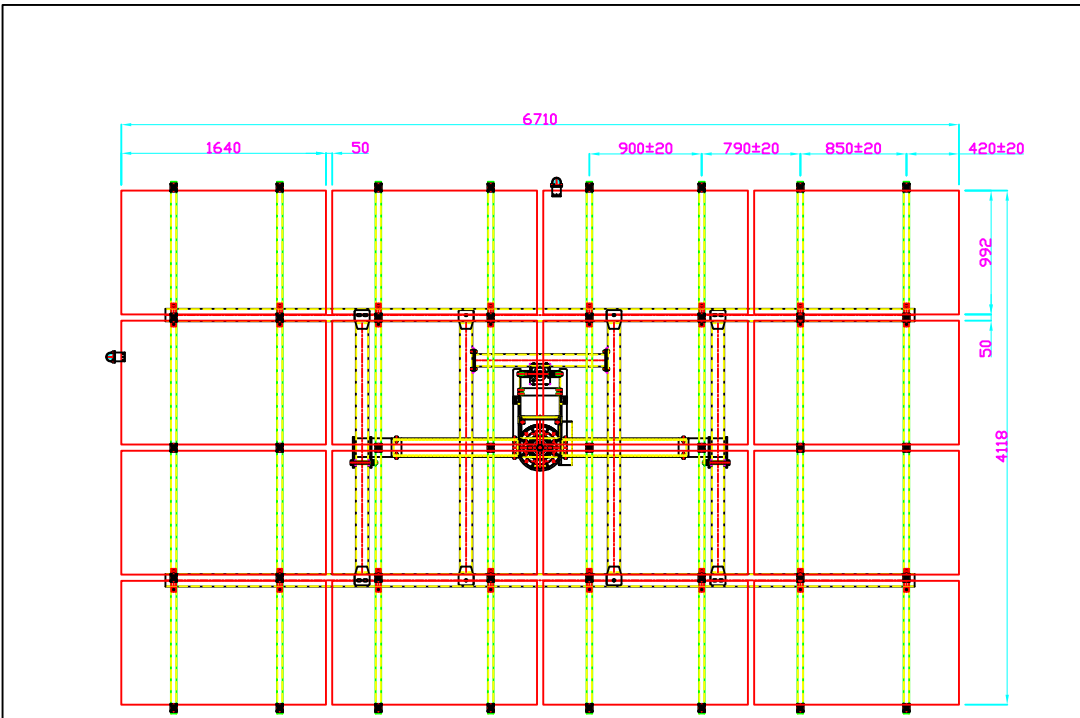
# model: D-16

Module: 1640 x 992 x 35mm

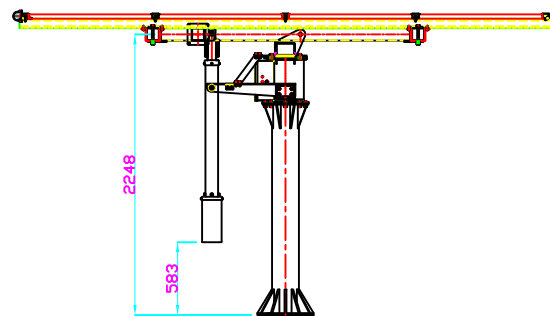
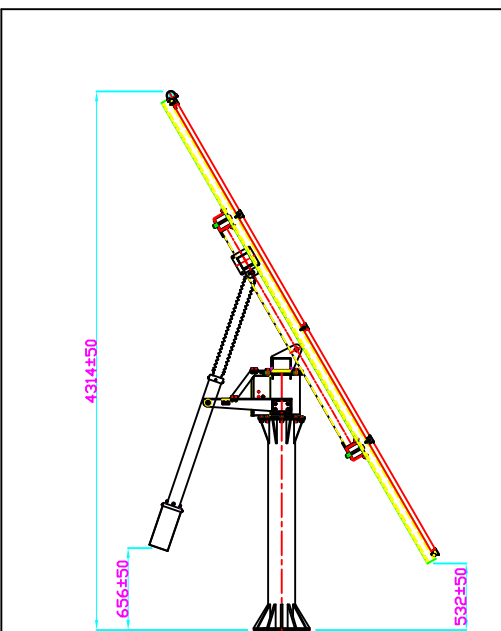
210W x 16 pcs = 3.36kW



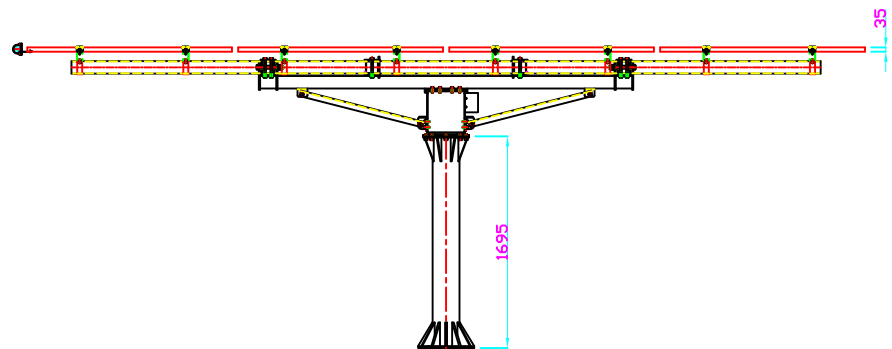
Modules' array



Upper view



Side View



Front View

Scale NS

Quantity ---

Unit mm (metric)

Date 2009. 04. 07

Drawn by

Designed by

Inspected by

Approved by

Note

Modification

Product name

2 Axis Tracker