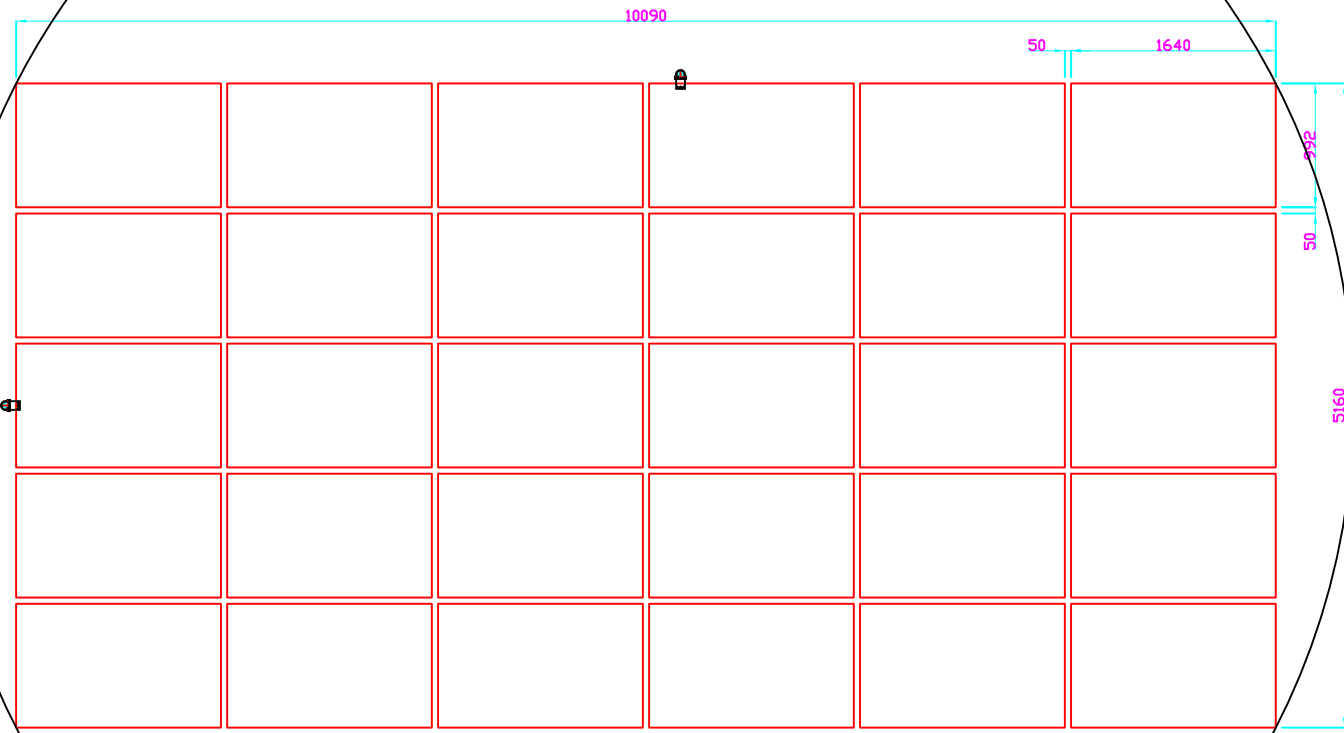




210Wp x 30EA = 6.3KWp

Minimum Rotary Diameter
(12m)

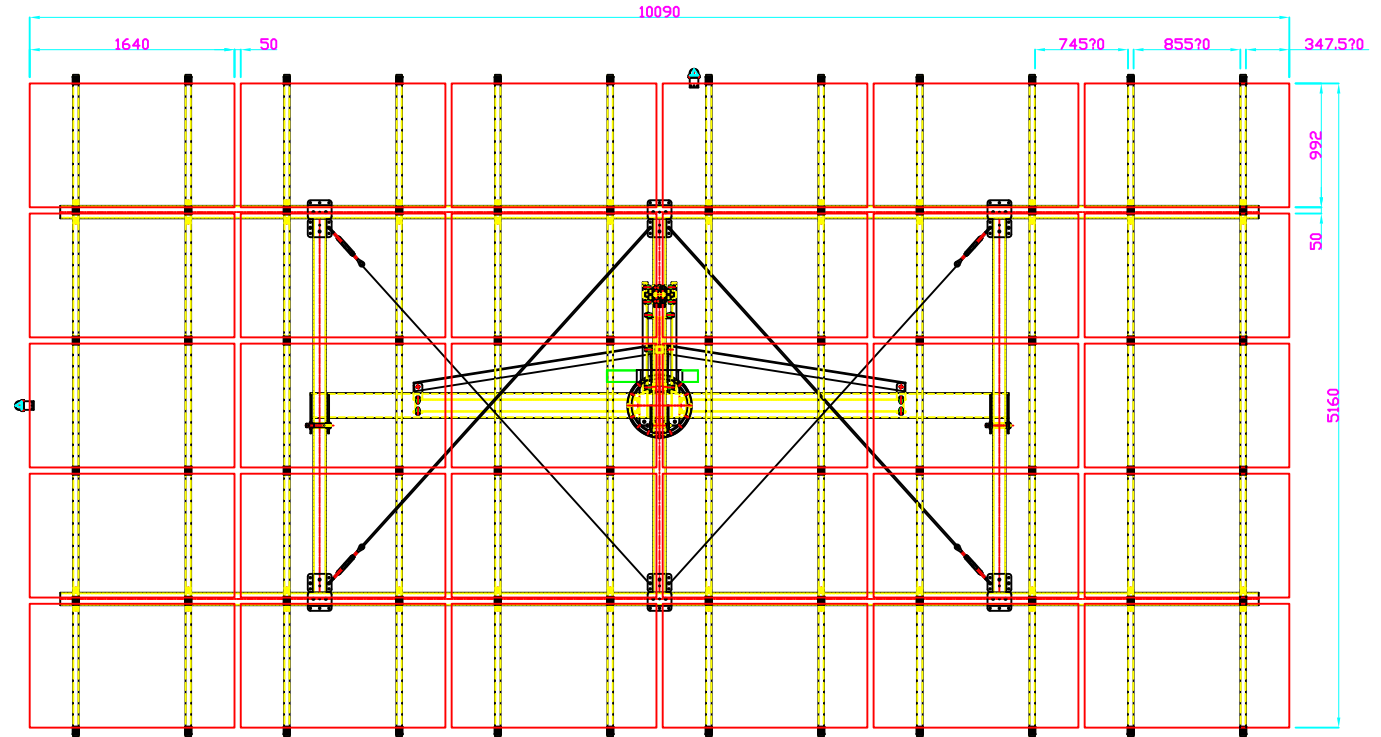


Modules' array

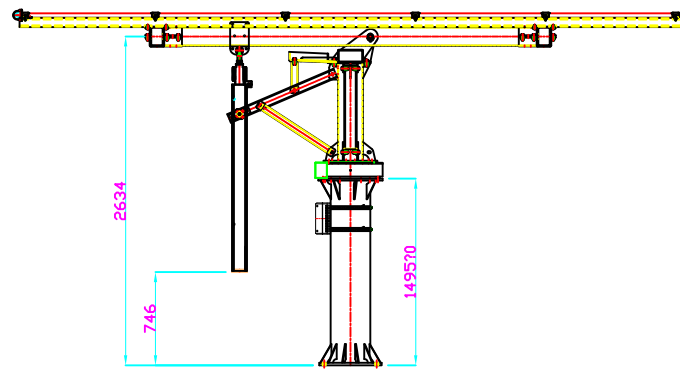
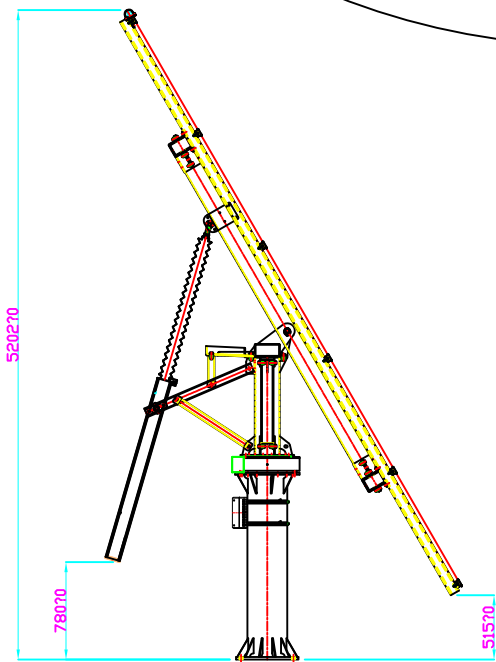
model: D-30

Module: 1640 x 992 x 35mm

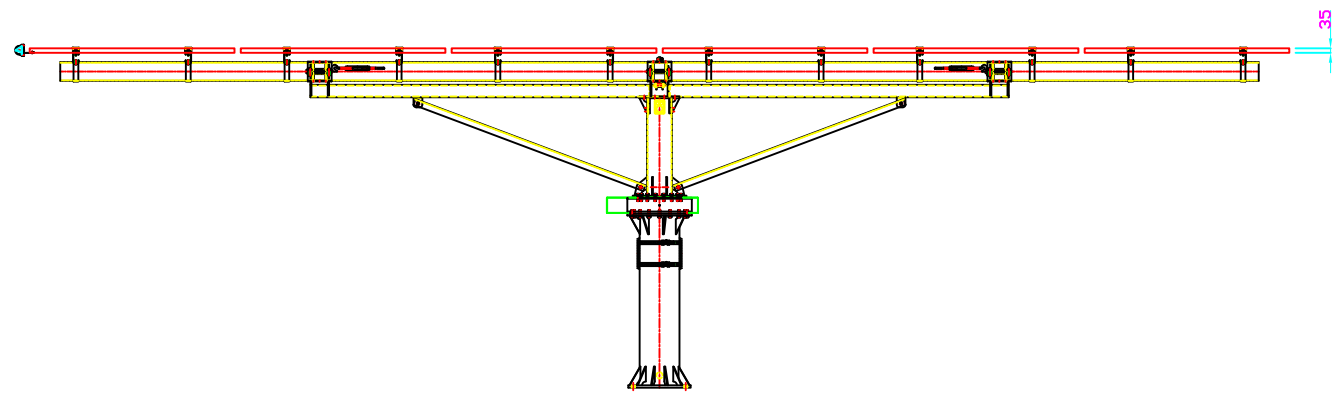
210W x 30 pcs = 6.3kW



Upper view



Side view



Front View



Scale	NS
Quantity	
Unit	mm (Metric)
Date	2009. 04. 07
Drawn by	
Designed by	
Inspected by	
Approved by	

Note

Modifications

Product name
Dual Axis Tracker