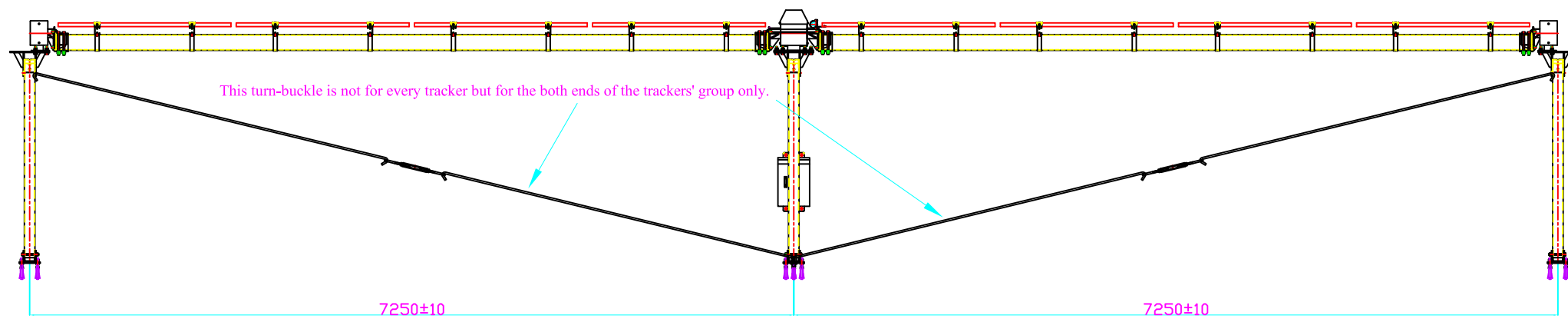
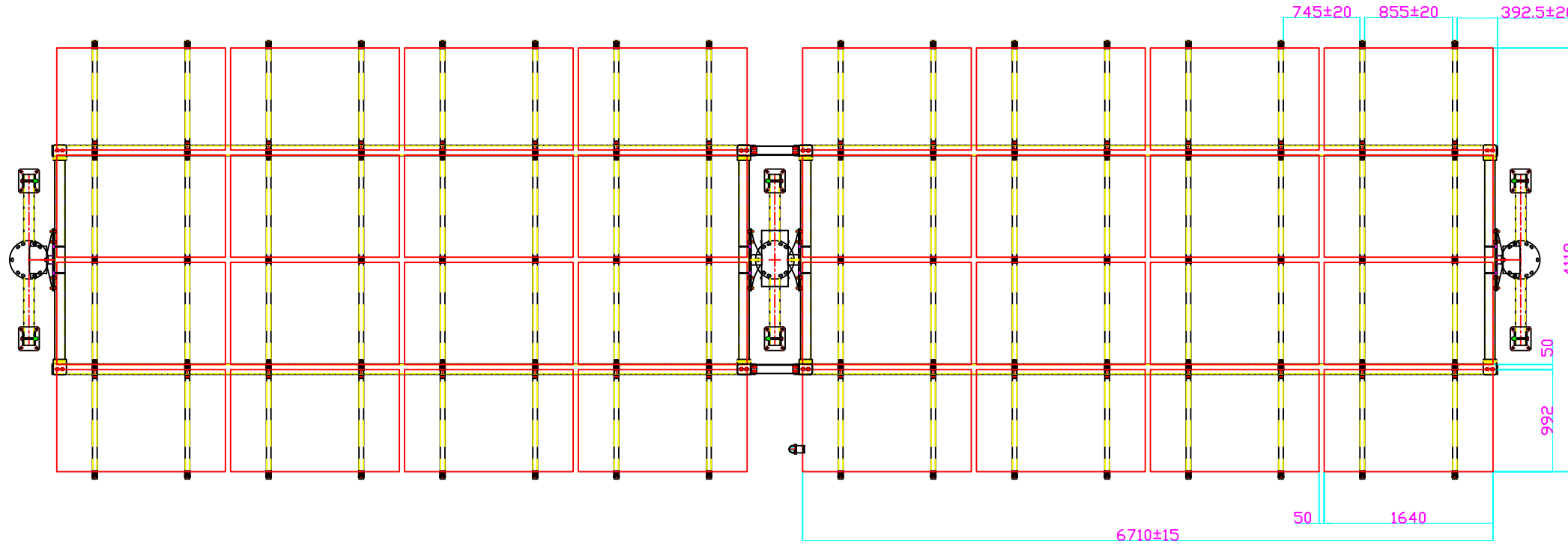
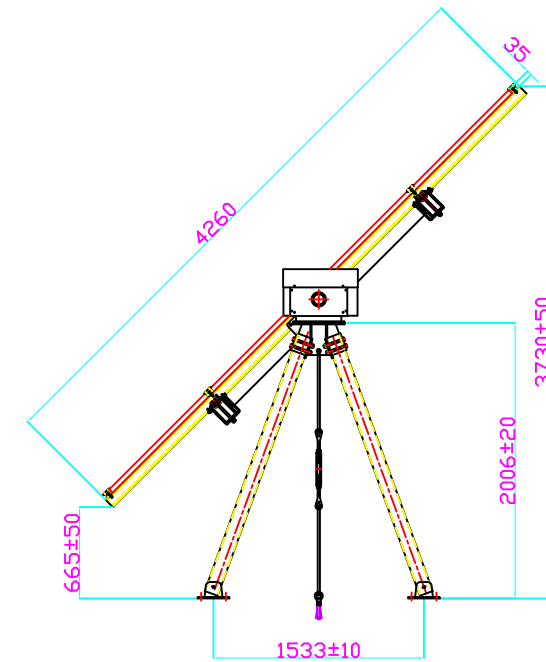


model: SMA

Module: 1640 x 992 x 35mm
210W x 16 pcs x 2 set = 6.72kW



Front View



Side View

Scale

Quantity

Unit
mm (metric)

Date
2009. 04. 07

Drawn by

Designed by

Inspected by

Approved by

Note

Modification

Product name

1 Axis Tracker